

IntelliConnect

A Different Kind of Interconnect Solutions Provider

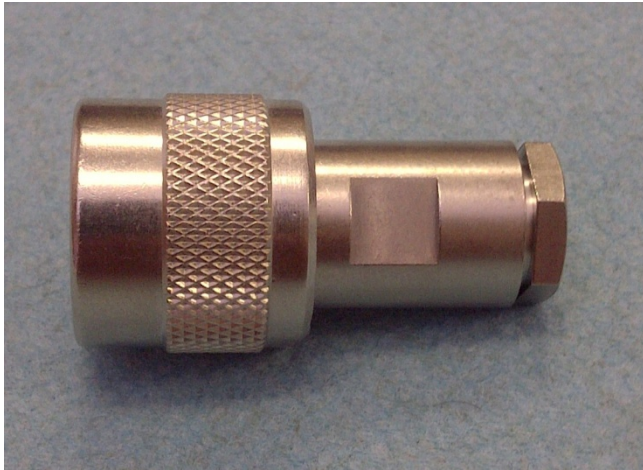
Product Data Sheet

C SERIES - STANDARD CONNECTORS

Typical Applications – High Power applications where quick connect/disconnect is required

GENERAL DESCRIPTION

The 'C' series are general purpose medium size connector series that has a weatherproof bayonet locking mechanism. This series complements the N-Type series by offering the same size fitting for the same cable groups. They are generally used in applications up to 11 GHz.



MATERIALS/ Plating Options

Bodies & Other Parts: Brass per ASTM B16 or Stainless Steel per ASTM A582 Nickel: Per QQ-N-290, Class II, Silver: Per QQ-S-365, Type II, Grade A, Passivate: Per QQ-P-35, Type II, Gold: Per MIL-G-45204, Type II, Grade C

Female Contacts: Beryllium Copper per ASTM B196 or equiv. Gold: Per MIL-G-45204, Type II, Grade C, Silver: Per QQ-S-365, Type II, Grade A

Male Contacts: Brass per ASTM B16 or equivalent. Gold: Per MIL-G-45204, Type II, Grade C, Silver: Per QQ-S-365, Type II, Grade A

Insulators (Dielectric): PTFE Fluorocarbon per ASTM D1710 or equivalent.

Gaskets: Silicone Rubber per AA59588 or equivalent.

MECHANICAL SPECIFICATION

Mating Cycles: 500 min.

ELECTRICAL SPECIFICATION

Impedance: 50 Ohms Nominal

Frequency Range: DC-11 GHz

Insulation Resistance: 5,000 Megohms min.

Voltage Rating: 1000 VRMS

Dielectric Withstanding: 3000 VRMS at sea level

Voltage Standing Wave Ratio (VSWR): 1.35 max.

Contact Resistance: Outer Contact: 0.15 Milliohms, Center Contact: 1 Milliohms

ENVIRONMENTAL SPECIFICATION

Temperature rating: -65°C to +165°C

Vibration: MIL-STD-202, Method 204

Shock: MIL-STD-202, Method 213

Thermal Shock: MIL-STD-202, Method 107

Corrosion (Salt Spray): MIL-STD-202, Method 101

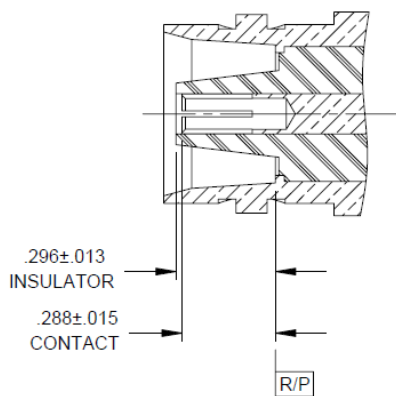
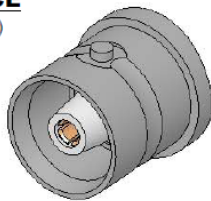
Moisture Resistance: MIL-STD-202, Method 106

DESIGNED IN ACCORDANCE WITH:

US MIL-PRF-39012, MIL-STD-348

INTELLICONNECT: ES101, ES103

JACK INTERFACE (FEMALE CONTACT)



PLUG INTERFACE (MALE CONTACT)

