

IntelliConnect

A Different Kind of Interconnect Solutions Provider

Product Data Sheet

SERIES TRB STANDARD - TRIAXIAL CONNECTORS

Typical Applications – Medical, Imaging, Radiation Detection, Broadcast, Defence & Aerospace

GENERAL DESCRIPTION

This triaxial connector series was designed primarily to reduce noise levels in systems along with providing an isolated ground.

The TRB series has a bayonet locking mechanism as designed on the BNC series (bayonet and lug configurations vary). The

TRB series is non-constant impedance and has the appearance of a BNC but incorporates a third conductor. This series also has a state of the art clamping construction and weatherproof sealing features which ensures excellent termination to various twinaxial and triaxial cables.



MATERIALS/ Plating Options

Bodies & Other Parts: Brass per ASTM B16 or equivalent. Nickel: Per QQ-N-290, Class II, Silver: Per QQ-S-365, Type II, Grade A

Female Contacts: Beryllium Copper per ASTM B196 or equiv. Gold: Per MIL-G-45204, Type II, Grade C, Silver: Per QQ-S-365, Type II, Grade A

Male Contacts: Brass per ASTM B16 or equivalent. Gold: Per MIL-G-45204, Type II, Grade C, Silver: Per QQ-S-365, Type II, Grade A

Insulators (Dielectric): PTFE Fluorocarbon per ASTM D1710 or equivalent.

Gaskets: Silicone Rubber per AA59588 or equivalent.

MECHANICAL SPECIFICATION

Cable Retention: .200-.325 OD: 40 lbs. min.

Center Contact Retention Force: 6 lbs. Min axial force

Mating Cycles: 500 min.

ELECTRICAL SPECIFICATION

Impedance: Non-Constant

Frequency Range: 500Mhz

Insulation Resistance: 5,000 Megohms min.

Voltage Rating: 400 VRMS

Dielectric Withstanding: 1200 VRMS at sea level

Contact Resistance: Outer Contact: 0.5 Milliohms, Center Contact: 5.0 Milliohms,
Intermediate contact 0.5 Milliohms

ENVIRONMENTAL SPECIFICATION

Temperature rating: -65°C to +165°C

Vibration: MIL-STD-202, Method 204

Shock: MIL-STD-202, Method 213

Thermal Shock: MIL-STD-202, Method 107

Corrosion (Salt Spray): MIL-STD-202, Method 101

Moisture Resistance: MIL-STD-202, Method 106

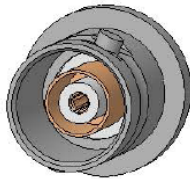
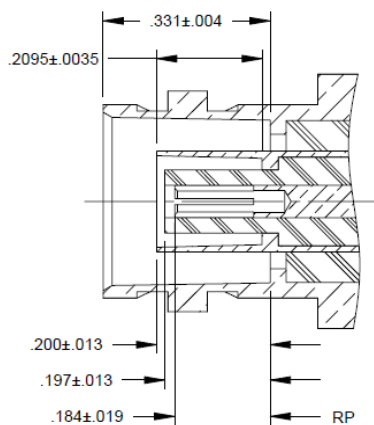
DESIGNED IN ACCORDANCE WITH:

US MIL-PRF-49142, MIL-STD-348

INTELLICONNECT: ES101, ES103

NOTES: 1. ILLUSTRATION REFLECTS A (2) LUG DESIGN FOR REFERENCE. OTHER CONFIGURATIONS ARE AVAILABLE.

JACK INTERFACE (FEMALE CENTER CONTACT)



NOTES: 1. ILLUSTRATION REFLECTS A (2) LUG DESIGN FOR REFERENCE. OTHER CONFIGURATIONS ARE AVAILABLE.

PLUG INTERFACE (MALE CENTER CONTACT)

