

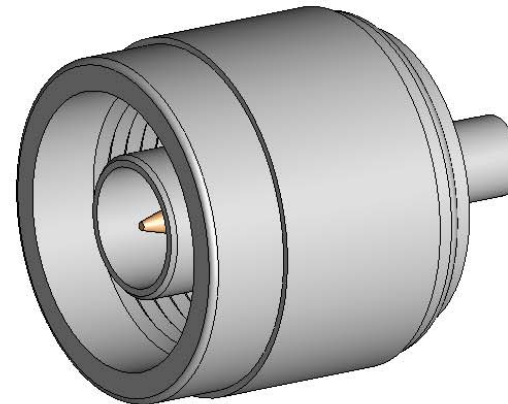
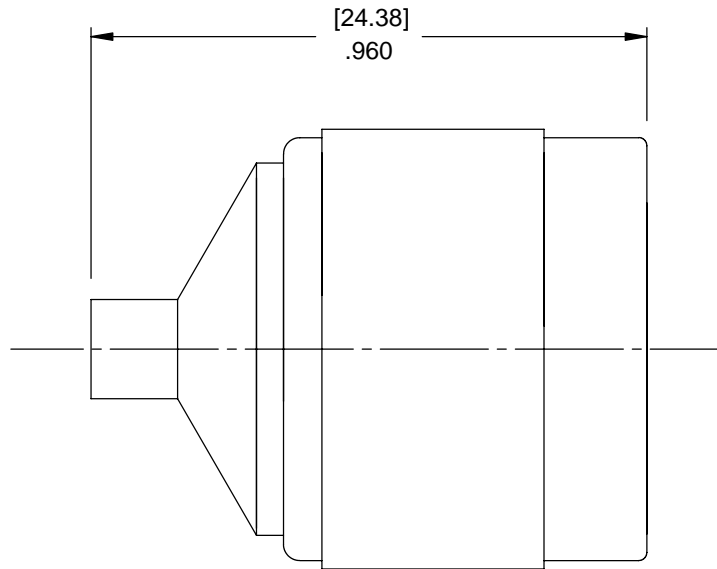
MATERIAL/FINISH PROPERTIES

MATERIAL PROPERTIES:
 BODY: STAINLESS STEEL PER ASTM A582 OR EQUIVALENT
 CONTACT: BRASS PER ASTM B16 OR EQUIVALENT
 INSULATORS: PTFE PER ASTM D1710 OR EQUIVALENT

PLATING PROPERTIES:
 BODY: TRI-M3, N3 PER ES101
 CONTACT: .000030 MIN. GOLD PER MIL-G-45204 OVER
 .000050 MIN. NICKEL PER QQ-N-290

MECHANICAL/ELECTRICAL PROPERTIES

CONNECTOR MEETS: MIL-STD-348 FIG. 304-1, MIL-PRF-39012
 CONNECTOR MEETS: RoHS 2002/95/EC STANDARDS
 CONNECTOR DURABILITY: 500 CYCLES MIN.
 CABLE: RG-402 (.141 S/R)
 ASSEMBLY INSTRUCTIONS: TBD
 IMPEDANCE: 50 OHMS NOMINAL
 FREQUENCY RANGE: DC-11 GHz
 VOLTAGE RATING: 1,000 VRMS
 INSULATION RESISTANCE: 5,000 MEGOHMS



IntelliConnect

UNLESS OTHERWISE SPECIFIED

ALL DIMENSIONS ARE REFERENCE
 X.XXX DIM'S = INCHES * [X.XX] DIM'S = MILLIMETERS
 SURFACE FINISH: 63 MICRO MAX.
 ALL DIAMETERS TO BE CONCENTRIC WITHIN .005 F.I.M.

TITLE: N-TYPE CABLED SOLDERED PLUG

MATERIAL & FINISH: PER TABLE ABOVE

DRAWN BY: TLB DATE: 04/27/01	CHECK BY: PCS DATE: 04/27/01	APPR. BY: JDC DATE: 04/27/01
CAGE CODE NO: 5N5S5	SCALE: 3:1	SIZE: A
SALES DRAWING	PART NO. 5126-P1NN-104-100N	REV 1 SHEET 1 OF 1

1	NPR 145	JDC	04/27/01
REV	DESCRIPTION	APPR	DATE